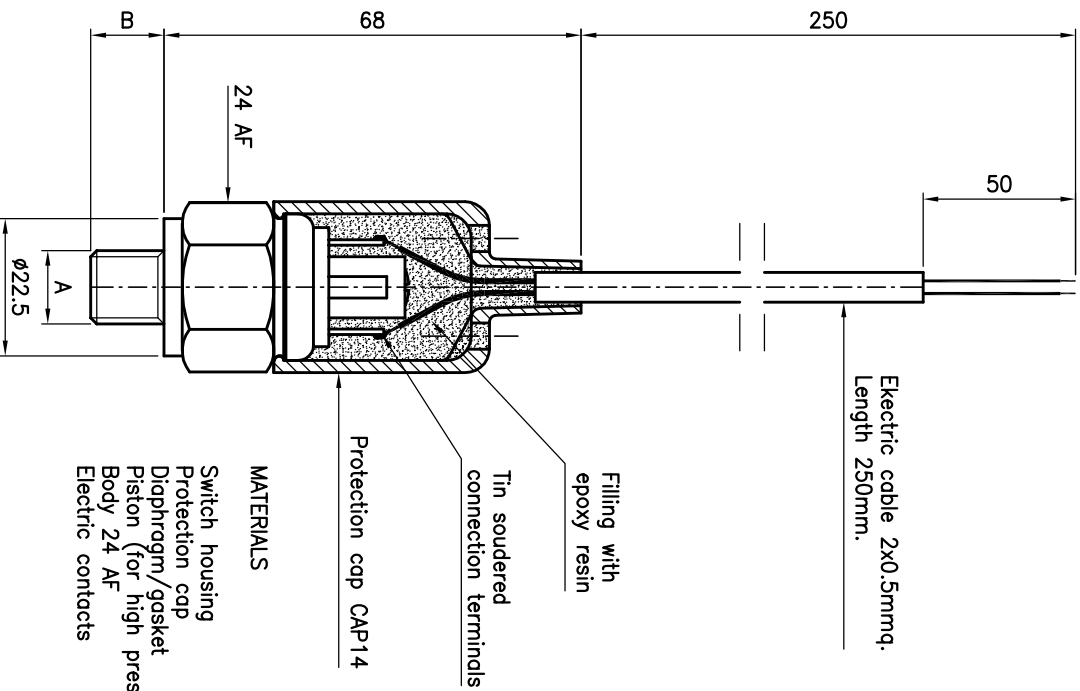


ADJUSTABLE PRESSURE SWITCH TYPE PMN.....C4



MATERIALS
 Switch housing
 Protection cap
 Diaphragm/gasket
 Piston (for high pressure)
 Body 24 AF
 Electric contacts

nylon 6.6
 santoprene
 see table
 AISI316 stainless steel
 see table
 silver plated copper (3 microns)

TECHNICAL DATA
 Max. voltage
 Max. intensity of current
 Temperature range
 Protection with CAP14
 Max. cycle rate at 25°C
 Max. cycle rate at 25°C
 Mechanical life
 Strength test
 Tightening torque

48 Vac/dc
 0.5 (0.2) A
 according to diaphragm/gasket material
 IP67
 200/1' (diaphragm type)
 80 / 1' (piston type)
 10⁶ operations
 1500 V - 10 mA - 10"
 max. 5 Kgm.

