

MICROFLEX

ULTRASONIC TWO WIRE LEVEL TRANSMITTER

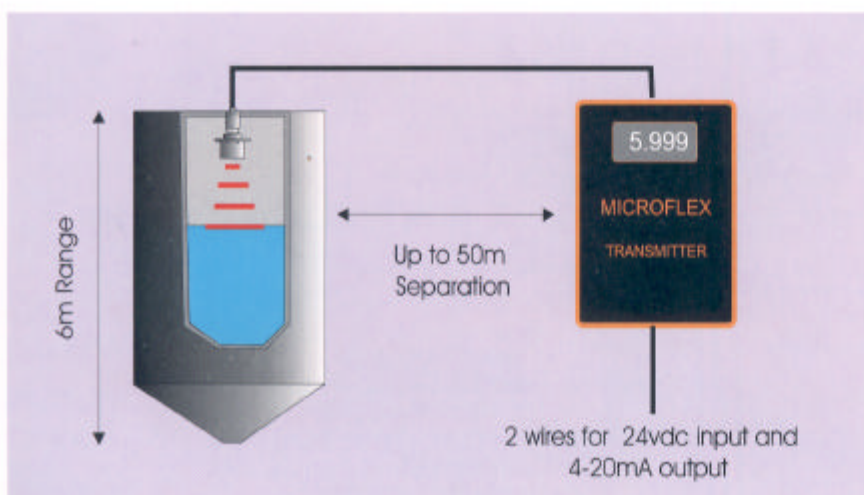


MICROFLEX FEATURES

- Two-wire loop powered
- Two-part system
- IP68 transducer and IP65 transmitter
- Local practical display
- Local and easy programming
- Proven transducer and echo extraction routines .

MICROFLEX BENEFITS

- Simple to install.
- Reduced costs with no additional display or cable required
- Safer to set up with transmitter at ground level
- Option to mount at tank top or ground level
- Reduced commissioning costs



SIMPLICITY

The two part construction coupled with the 12 mm LCD display, five push buttons under the lid for security, and only five parameters to set means that MICROFLEX is probably the simplest Level Transmitter in the world to calibrate and use.

CHOICE

The instrument can be configured to display in metres or percent, distance or level. Empty distance and span can be entered in real values, anywhere within the instruments six metre range.

SPEED

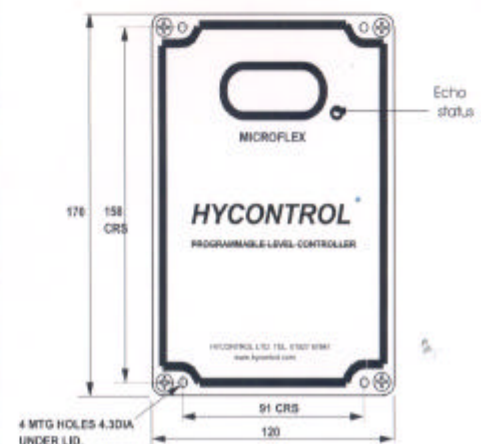
Conventional loop powered ultrasonic level transmitters are generally slow to respond to changing levels and care needs to be taken when considering their use. MICROFLEX can track level changes as fast as 10 meters per minute, without risk of losing signal.

APPLICATION

Transducers are hazardous area certified for Zones 1 & 2, have inbuilt temperature compensation and IP68 environmental protection. Flange mounting options and PTFE facing are also available.

LEVEL TRACKING

Using a unique echo extraction routine 'PULSE', designed by Hycontrol to ensure that Microflex monitors the correct level and ignores spurious echos.



MICROFLEX

ULTRASONIC TRANSDUCERS

The MICROFLEX electronics have been matched to the performance of our well proven range of ultrasonic transducers.

These transducers with polyurethane or flanged PTFE faces are suitable for use with most process liquids or slurries.

CENELEC approved for use in Zone 1 & 2 areas and submersible to IP68, they are safe to mount almost anywhere. Integral temperature compensation avoids the need for separate temperature probes.

50 metre separation is possible between transducer and the transmitter when wired in accordance with the instruction manual.

TRANSDUCER TECHNICAL DATA:

STANDARD MOUNTING

Frequency:	41.5 kHz
Beam Angle:	10° at 3dB
Body Material:	Xenoy thermoplastic alloy
Face Material:	Polyurethane or PTFE (Add 'T' at end of part number for PTFE)
Temperature Compensation:	Integral
Operating Temperature:	-40°C to +90°C (-20 to +60°C for Cenelec)
Protection:	IP68
Hazardous Area:	EExmIIT6 for zone 1 & 2
Mounting:	M20 x 1.5mm

OPTIONS

Flange Mounting:

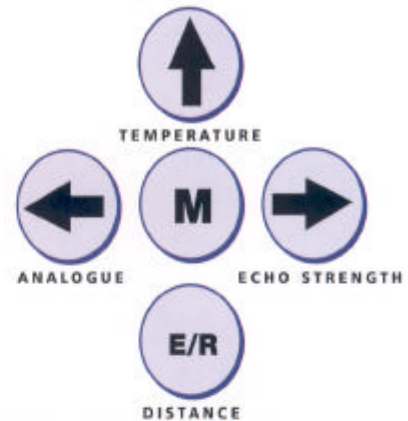
FLANGE SIZE	A	B	C	D
3 INCH	190	152	19	4
4 INCH	229	190	19	8
DIN 80	200	160	18	8

Other sizes available on request.

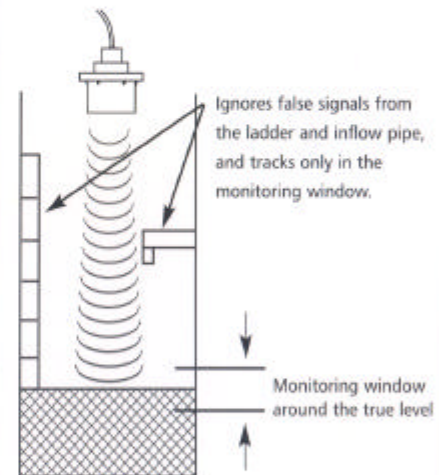
Face Material:

PTFE

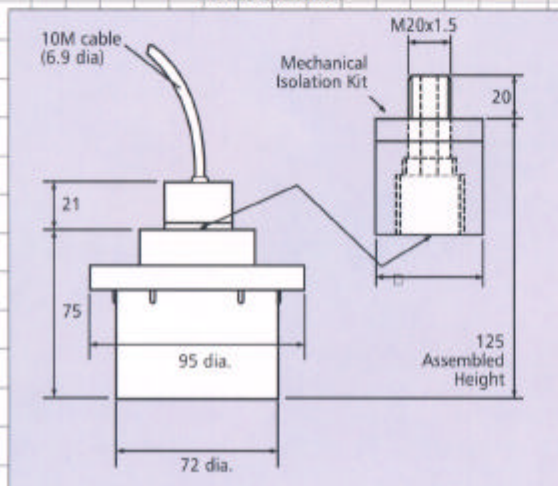
Simple push button operation for programming with quick check options for temperature, echo strength, distance and analogue output.



System utilises "PULSE" window technology (*Proven Ultrasonic Level Signal Extraction*) eliminating the false echoes other manufacturers systems fail on!

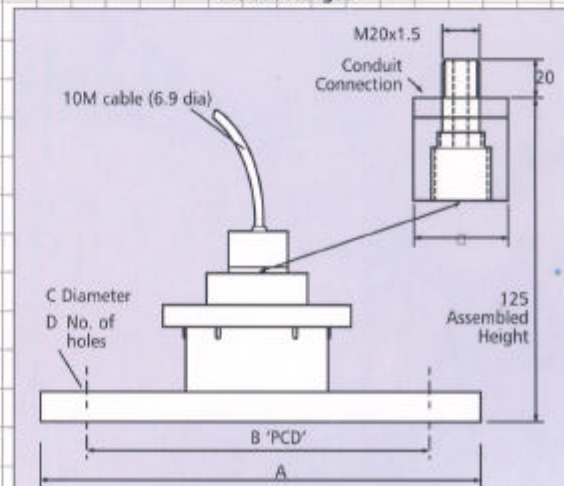


Model: Standard



All dimensions in mm unless stated.

Model: Flanged



All dimensions in mm unless stated.

PERFORMANCE SPECIFICATION

Measuring Range:	6 metres maximum on liquids, slurries and pastes
Measuring Modes:	Level or distance
Accuracy of change in level:	$\pm 1\%$ of measured distance at ambient of 20°C
Resolution:	2mm or 0.1% of empty distance whichever is the greater
Damping:	Fully adjustable
Blanking:	Fully adjustable

HARDWARE SPECIFICATION

Power Supply:	20-30V dc
Analogue Output:	4-20mA / 20-4mA, 12 bit non-isolated
Ambient Temperature:	-40°C to +70°C
Indication:	4 digit 12mm LCD, 1 LED for echo status
Interface:	5 push buttons
Temperature Compensation:	Integral
Enclosure:	IP65 Polycarbonate, 170h x 120W x 56d wall mounting
Approvals:	CE Compliant to EN 50081-1 EN 61000-6-2 Approved for driving transducers certified EExmIIT6 for zones 1 & 2

Hycontrol's policy is one of continuous development, consequently the right is reserved to modify these specifications without notice.

HYCONTROL

Hycontrol Limited,
Larchwood House, Orchard Street, Redditch,
Worcestershire B98 7DP.
Tel: (01527) 67841. Fax: (01527) 60046.
E-mail: Sales@Hycontrol.com
Web Site: www.hycontrol.com

Distributed By:

