

TWINFLEX

SHORT RANGE NON CONTACT
PROGRAMMABLE DUAL LEVEL CONTROLLER.
LIQUIDS, PASTES AND SLURRIES.



The NEW TWINFLEX ultrasonic level management system, builds on the proven reliability and performance of the MINIFLEX system, offering additional dual tank capability at reduced installation costs.

EASY TO INSTALL

The electronics and transducers have deliberately been kept separate to give the choice of mounting the display controller tank top or tank bottom. Given the option, we suspect that, most people when setting up the unit prefer to keep both feet on the ground.

USER FRIENDLY

The displays are visible at all times, providing a continuous readout of tank contents. This information can be repeated using the 4-20mA output available or fed into a PLC or SCADA system for control or logging purposes.

VERSATILE

Depending on the application a stand alone mains operated device or a low voltage DC transmitter in a control loop may be required. TWINFLEX provides the opportunity to satisfy either of these requirements by accepting AC voltage of 110/230V, or 24V DC in a three / four wire configuration.

TWINFLEX FEATURES

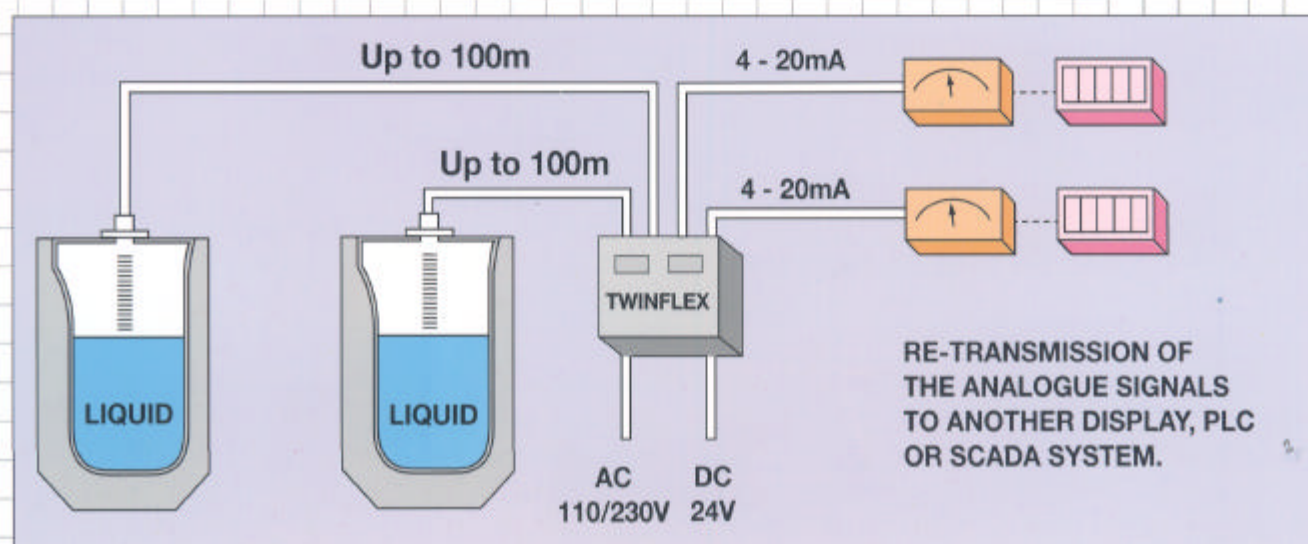
- Low cost dual tank monitor
- Simple to program, just 5 buttons
- Display to show level or distance
- Two continuous 4-20mA outputs
- Two continuous LCD displays
- Separate transducers to ease installation
- Transducers certified EExmII T6
- AC or DC supply
- IP 65 enclosure for outdoor use
- Range up to 6 metres as standard (Contact Office for extended 10m range)
- Two part electrical connectors
- CE compliant

TWINFLEX BENEFITS

- Reduced installation cost
- Reduced cost per point
- Reduced spares

APPLICATIONS

- Waste water treatment
- Minerals Processing
- Water treatment
- Mining
- Paper & Pulp
- Chemical Industries



TWINFLEX

ULTRASONIC TRANSDUCERS

The TWINFLEX electronics have been matched to the performance of the RZ range of ultrasonic transducers.

These transducers with polyurethane or flanged PTFE faces are suitable for use with most process liquids or slurries.

CENELEC approved for use in Zone 1 & 2 areas and submersible to IP68, the RZ range is safe to mount almost anywhere. Optional Integral temperature compensation avoids the need for separate temperature probes.

100 metre separation is possible between transducer and the TWINFLEX when wired in accordance with the instruction manual.

TRANSDUCER TECHNICAL DATA:

STANDARD MOUNTING

Model:	RZV15
Frequency:	41.5 kHz
Beam Angle:	10° at 3dB
Body Material:	Xenoy thermoplastic alloy
Face Material:	Polyurethane or PTFE (Add 'T' at end of part number for PTFE)
Temperature Compensation:	Integrated in RZT15 series
Operating Temperature:	- 40°C to + 90°C (-20 to +60°C for Cenelec)
Protection:	IP68
Hazardous Area:	CENELEC EExmIIT6 for zone 1 & 2
Operating Pressure:	2 bar g max
Mounting:	M20 x 1.5mm

FLANGE MOUNTING

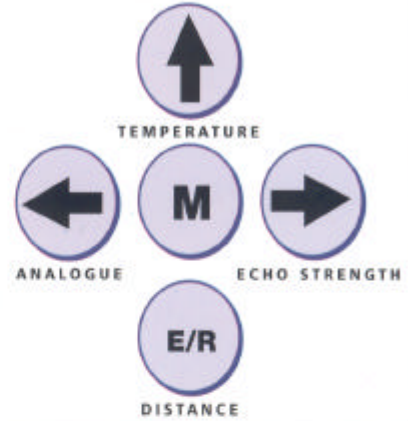
Model: RZT15T/RZV15T* (* = Nominal flange size).

MODEL	A	B	C	D
RZV15T3	190	152	19	4
RZV15T4	229	190	19	8
RZV15T6	279	241	22	8

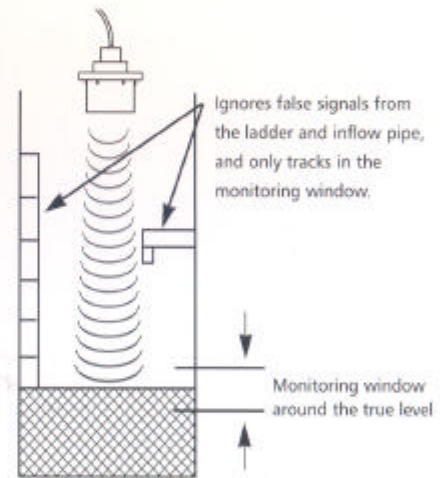
Other sizes available on request.

Face Material:	PTFE (CHEMICAL RESISTANT)
Temperature Compensation:	Integrated option
Operating Pressure:	0.5 bar g max

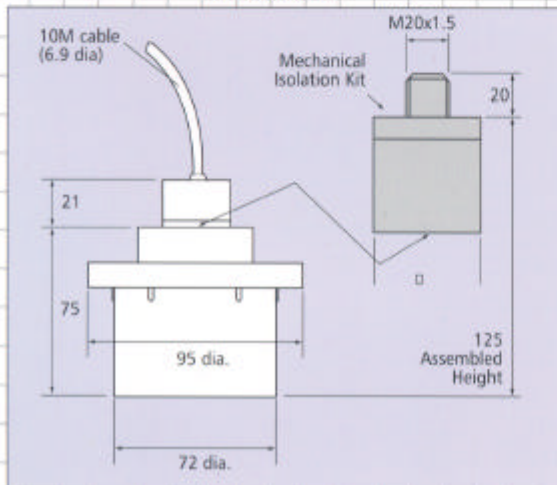
Simple push button operation for programming with quick check options for temperature, echo strength, distance and analogue output.



System utilises "PULSE" window technology (*Proven Ultrasonic Level Signal Extraction*) eliminating the false echoes other manufacturers systems fail on!

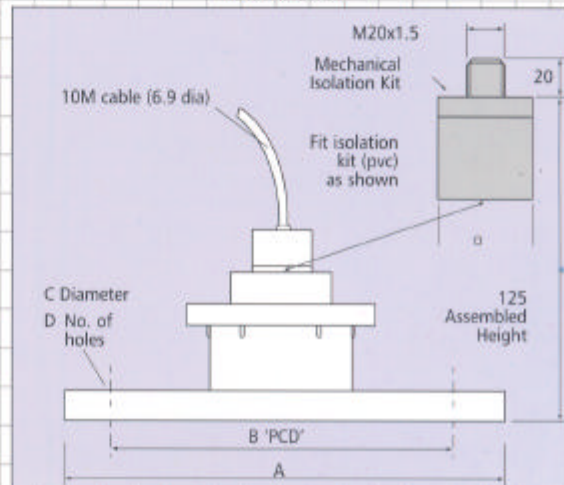


Model: RZV/T15



All dimensions in mm unless stated.

Model: RZV15T



All dimensions in mm unless stated.

PERFORMANCE SPECIFICATION

Measuring Range:	Up to 6 metres on liquids, slurries and pastes (For extended 10m range contact the office)
Measuring Modes:	Level or distance
Accuracy of change in level:	+ / - 0.25 % of measured distance at ambient of 20°C
Resolution:	2mm or 0.1% of empty distance whichever is the greater
Damping:	Fully adjustable
Blanking:	Fully adjustable (min 0.3m)

HARDWARE SPECIFICATION

Power Supply:	24Vd.c. $\pm 10\%$ 5W OPTION 110 / 230V a.c. $\pm 10\%$ 50/60 Hz 6VA,
Analogue Output:	2 x 4-20mA / 20-4mA into 750 ohms 16 bit,
Ambient Temperature:	-40°C to +70°C
Indication:	TWO 4 digit 12mm LCD, 2 LED's for echo confidence
Programming:	5 push buttons
Temperature Compensation:	Integral in RZT transducers
Enclosure:	IP65 Polycarbonate, 200w x 120h x 75d wall mounting. Cable entry 3 x M20 clearance
Approvals:	CE Compliant to EN 50081 EN 50082 Approved for driving RZ series transducers certified EExMIT6 for zones 1 & 2

Hycontrol's policy is one of continuous development, consequently the right is reserved to modify these specifications without notice.

HYCONTROL



Hycontrol Limited,
Larchwood House, Orchard Street, Redditch,
Worcestershire B98 7DP.
Tel: (01527) 67841. Fax: (01527) 60046.
Web Site: www.hycontrol.com Email: sales@hycontrol.com

